

LED DOWN LIGHT D9010



APPLICATIONS

Area: Indoor use only. No dimmer.

Purpose: Accent lighting. Local lighting.

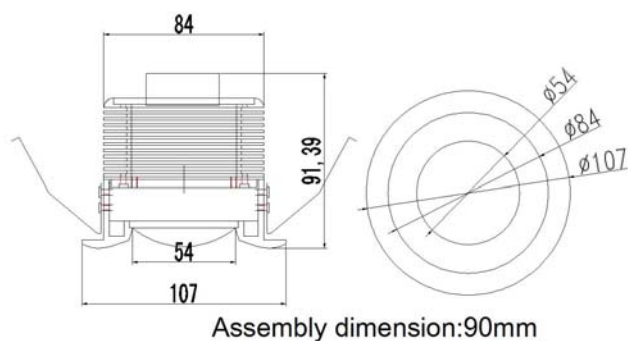
ADVANTAGES:

- Adopting NICHIA's 083BT series LEDs with high lumens and long lifetime.
- Unique design for good thermal management.
- Special optical design achieves perfect light performance.



Specification:

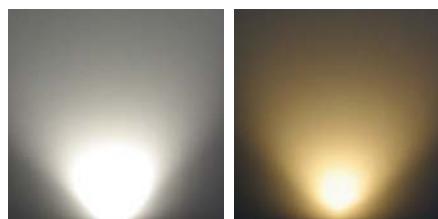
Model number	D9010(WW) D9010-P(WW)	D9010(NW) D9010-P(NW)
LED	Origin	NICHIA 183BT
	Lumens/Le	80-100
	Current	300mA
Color temperature	2800±200K/3200±200K	5000±200K
Power consumption	10W(9×1W)	10W(9×1W)
PFC(GU10)	0.85	0.85
Beam Angle	60°/90°	60°/90°
Input voltage	110/220VAC	110/220VAC
Working temperature	-5℃~+35℃	-5℃~+35℃
Dimension	φ 107×89(L) mm	φ 107×91(L) mm
Net weight	582g	582g
Lifetime(hr)	45000	45000



Note: D9010-P adopts external power source.

Packaging information:

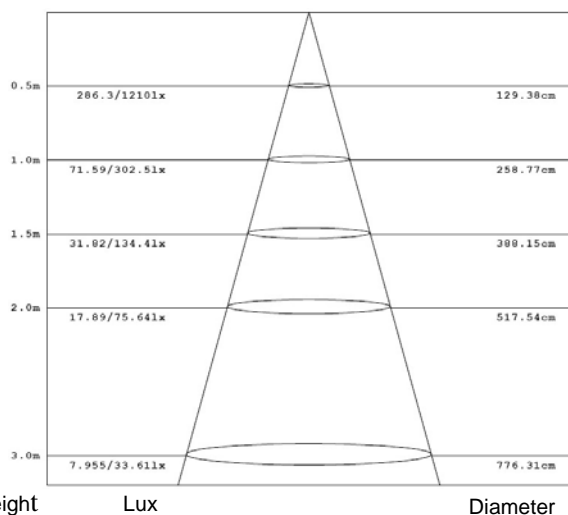
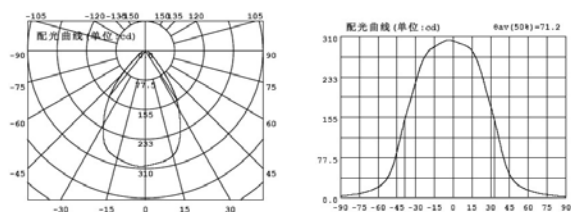
Packing: 24 boxes / carton		
Box	115×115×115(mm)	637g
Carton	57.5×26.5×36(cm)	16kg



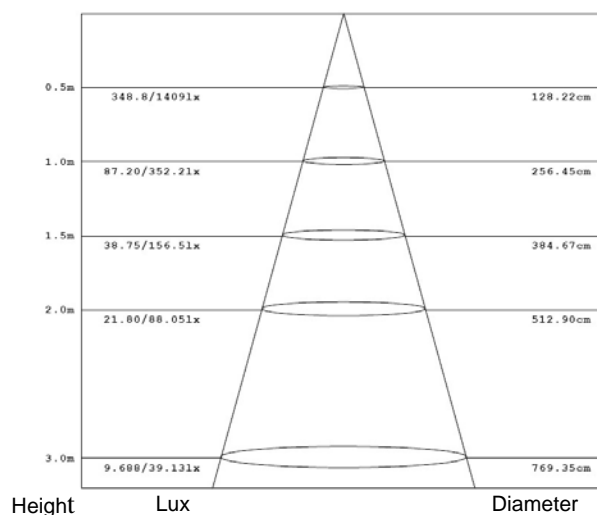
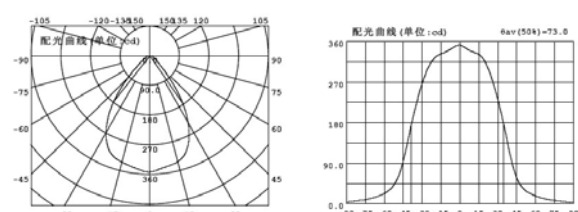
Optical Performance:

Model number	Beam Angle	Lumens	CRI
D9010(WW)	60 degree	700	80
D9010(NW)	60 degree	832	75

D9010(WW)



D9010(NW)





Important Caution

1. Not suitable for high temperature and moisture area.
2. Not suitable for heavy air-polluted area.
3. Not suitable for close system fixture.