

# LED Bulb B5004



## Features

- *NICHIA 083BT LED*
- *Perfect optical feast of eyes*
- *Ceramic radiator perfects the performance of insulation and heat elimination.*
- *Not easy to damage due to the solid ceramic, PC material and small body.*
- *Except the base part, the whole body is insulated.*
- *Elegant appearance, small and cute.*



## Applications

- *Area: Indoor use only, No dimmer*
- *Easy use and easy installation*



## Specification:

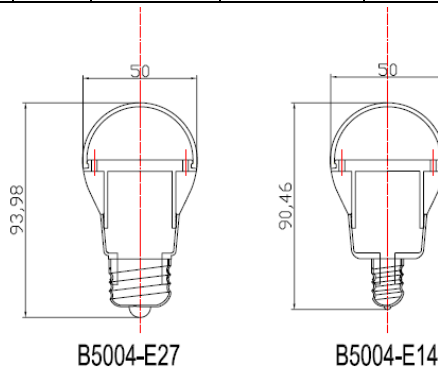
Art. No	LED			Voltage (VAC)	Power (W)	PFC	Base	Dimension (mm)	Working temperature	Lifetime
	Origin	Lm/LED	mA							
B5004-E27(NW)	083BT	90-110	300	85-265	5(4X1W)	0.57	E27	φ 50x94	-5°C ~ +35°C	45000
B5004-E27(WW)	083BT	80-100	300	85-265	5(4X1W)	0.57	E27	φ 50x94	-5°C ~ +35°C	45000
B5004-E14(NW)	083BT	90-110	300	85-265	5(4X1W)	0.57	E14	φ 50x90.5	-5°C ~ +35°C	45000
B5004-E14(WW)	083BT	80-100	300	85-265	5(4X1W)	0.57	E14	φ 50x90.5	-5°C ~ +35°C	45000
B5004-B22(NW)	083BT	90-110	300	85-265	5(4X1W)	0.57	B22	φ 50x94	-5°C ~ +35°C	45000
B5004-B22 (WW)	083BT	80-100	300	85-265	5(4X1W)	0.57	B22	φ 50x94	-5°C ~ +35°C	45000

## Packaging Information

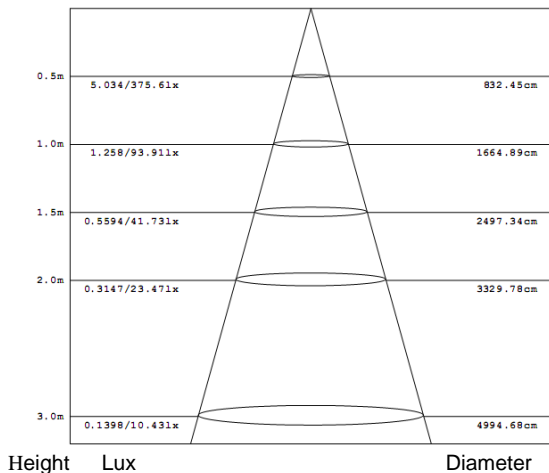
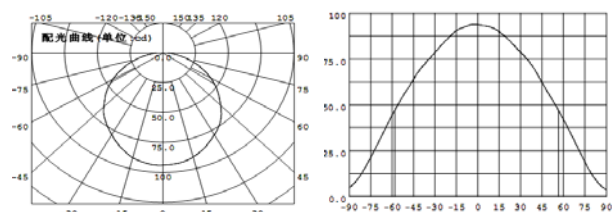
Packing:108PCS / carton		
Box	52x52x101 (mm)	0.10 kg
Carton	57.5x26.5x36(cm)	12.2 kg

## Optical Performance

Color	Lumens (lm)	Color Temperature(K)	CRI
Natural White	280	5000±200K	75
Warm White	240	2800K±200K / 3200K±200K	80



### Natural White



### Warm White

