



LED Down light S13-AR111

Applications:

- Area: Indoor use only.
- Easy use and easy installation.

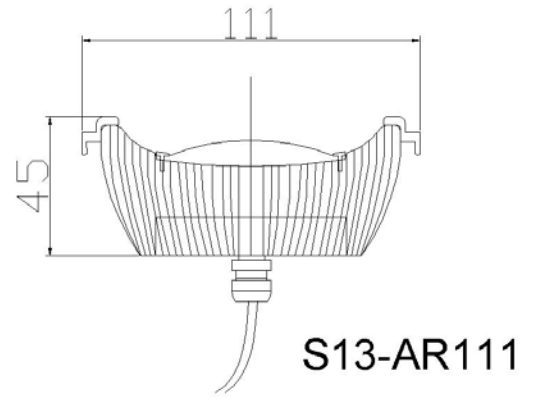
Features:

- NICHIA 183 LED.
- PWM 0%-100% dimmable.
- Perfect anti-glare optical design feast of eyes.
- Unique design for good heat elimination performance.
- Long life time up to 45000hrs.



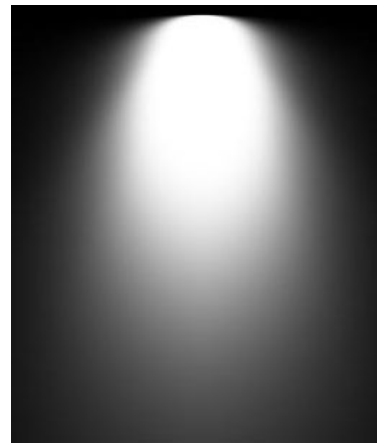
Specification:

Model number		S13-AR111(WW)	S13-AR111(NW)
LED	Origin	NICHIA 183	NICHIA 183
	Lumens/Led	170-185	215-230
	Current	600mA	600mA
Color temperature		2800±200K/3200±200K	5000±200K
Power consumption		15 (6×2.2W)	15 (6×2.2W)
Beam Angle		45	45
Input voltage		12VDC/AC	12VDC/AC
Working temperature		-5℃~+35℃	-5℃~+35℃
Base type		AR111	AR111
Dimension		A111*45 mm	A111*45 mm
Net weight		352 g	352 g
Lifetime(hr)		45000	45000



Packaging Information

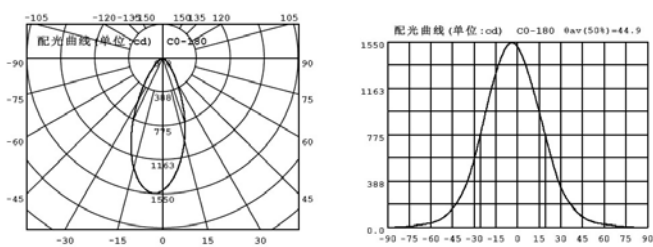
Packing: PCS / carton		
Box	115×115×115(mm)	401 g
Carton	57.5×26.5×36(cm)	10.25 kgs



Optical Performance:

Color	Lumens (lm)	Color Temperature(K)	CRI
Natural White	950	5000	75
Warm White	700	2800±200K / 3200±200K	80

Natural White



Warm White

