

LED DOWN LIGHT D7505



APPLICATIONS

Area: *Indoor use only.*

Purpose: *Accent lighting. Local lighting.*

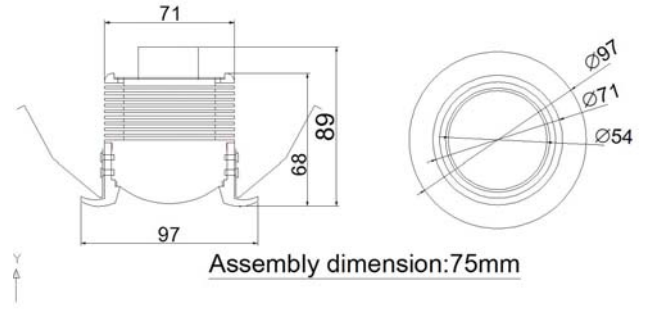
ADVANTAGES:

- *Adopting NICHIA's 083BT series LEDs with high lumens and long lifetime.*
- *Unique design for good thermal management.*
- *Special optical design achieves perfect light performance.*



Specification:

Model number		D7505(WW) D7505-P(WW)	D7505(NW) D7505-P(NW)
LED	Origin	NICHIA 183BT	NICHIA 183BT
	Lumens/Led	80-100	90-110
	Current	300mA	300mA
Color temperature		2800±200K/3200±200K	5000±200K
Power consumption		6W(5×1W)	6W(5×1W)
PFC(GU10)		0.85	0.85
Beam Angle		60°/90°	60°/90°
Input voltage		85-265VAC	85-265VAC
Working temperature		-5℃~+35℃	-5℃~+35℃
Dimension		φ 97×89 (L) mm	φ 97×89 (L) mm
Net weight		437g	437g
Lifetime(hr)		45000	45000



Note: D7505-P adopts external power source.

Packaging information:

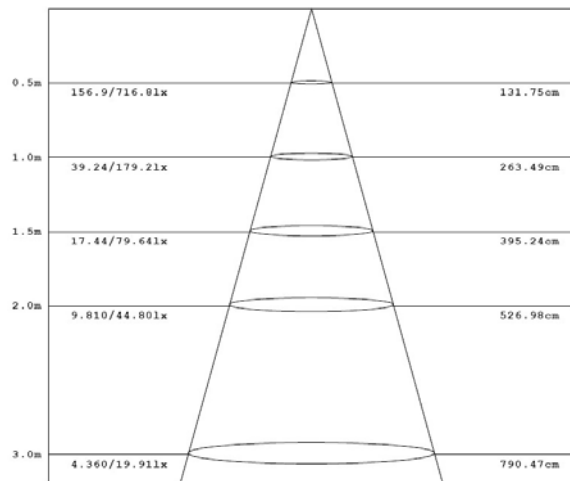
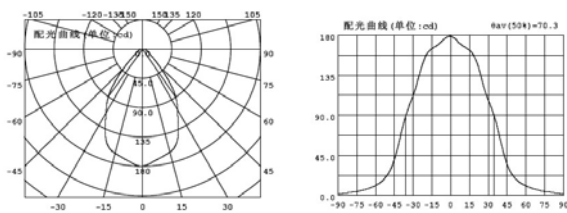
Packing: 30 boxes / carton		
Box	106×106×106(mm)	487g
Carton	57.5×26.5×36(cm)	15.5kg



Optical Performance:

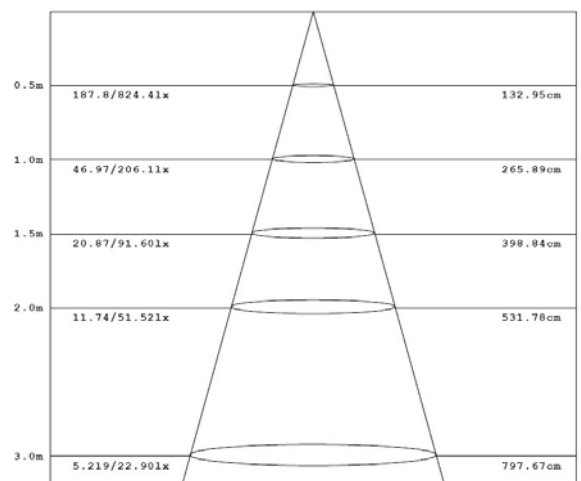
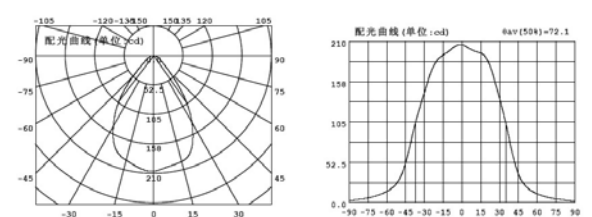
Model number	Beam Angle	Lumens	CRI
D7505(WW)	60 degree	276	80
D7505(NW)	60 degree	338	75

D7505(WW)



Height Lux Diameter

D7505(NW)



Height Lux Diameter



Important Caution

1. Not suitable for high temperature and moisture area.
2. Not suitable for heavy air-polluted area.
3. Not suitable for close system fixture.