

Dimmable DOWN LIGHT D9010-DIM



APPLICATIONS:

Area: Indoor use only.

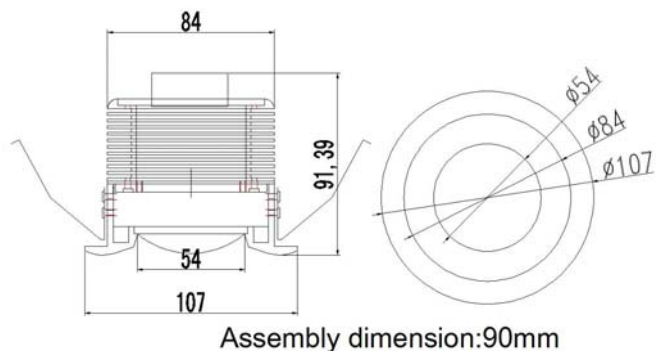
Purpose: Accent lighting. Local lighting.

ADVANTAGES:

- Adopting NICHIA's 083BT series LEDs with high lumens and long lifetime.
- ELV dimmer(wall dimmer) available.
- 10%-100% dimmable.
- Unique design for good thermal management.
- Special optical design achieves perfect light performance.

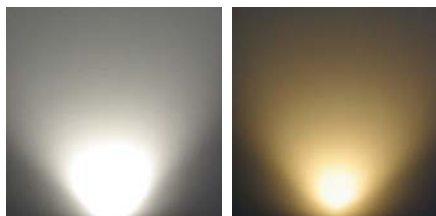
Specification:

Model number		D9010-DIM(WW)	D9010-DIM(NW)
LED	Origin	NICHIA 183BT	NICHIA 183BT
	Lumens/Led	80-100	90-110
	Current	300mA	300mA
Color temperature		2800±200K/3200±200K	5000±200K
Power consumption		10W(9×1W)	10W(9×1W)
PFC(GU10)		0.85	0.85
Beam Angle		60°/90°	60°/90°
Input voltage		220VAC	220VAC
Working temperature		-5℃~+35℃	-5℃~+35℃
Dimension		φ 107×89(L)mm	φ 107×91(L)mm
Net weight		582g	582g
Lifetime(hr)		45000	45000



Packaging information:

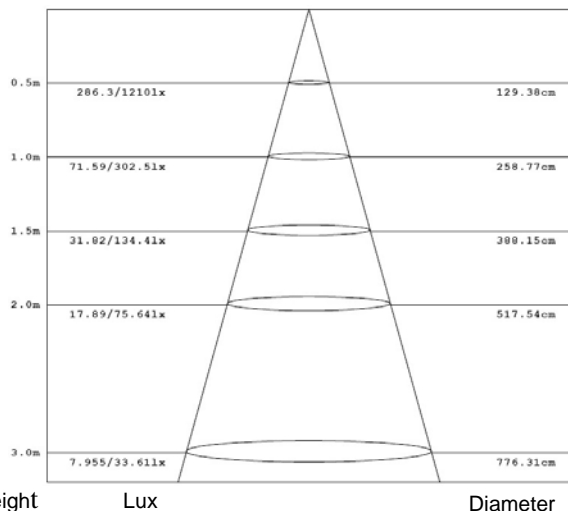
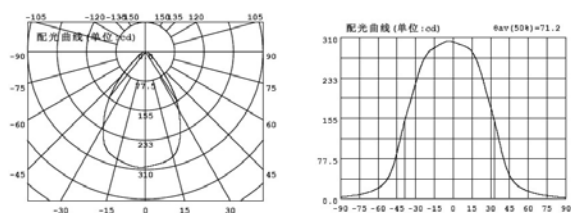
Packing: 24 boxes / carton		
Box	115×115×115(mm)	637g
Carton	57.5×26.5×36(cm)	16kg



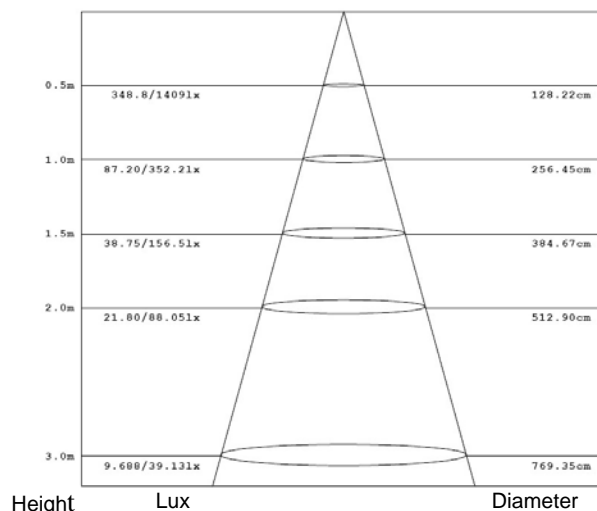
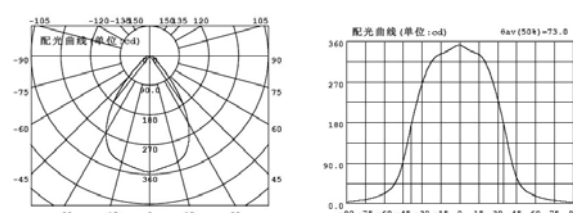
Optical Performance:

Model number	Beam Angle	Lumens	CRI
D9010(WW)	60 degree	700	80
D9010(NW)	60 degree	832	75

D9010(WW)



D9010(NW)





Important Caution

1. Not suitable for high temperature and moisture area.
2. Not suitable for heavy air-polluted area.
3. Not suitable for close system fixture.