

LED DOWN LIGHT D9010



APPLICATIONS

Area: Indoor use only. No dimmer.

Purpose: Accent lighting. Local lighting.

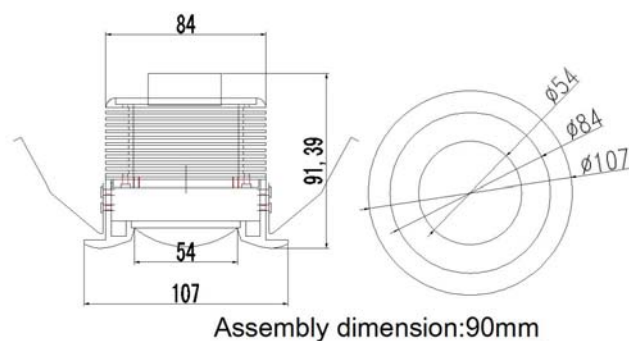
ADVANTAGES:

- Adopting NICHIA's 083BT series LEDs with high lumens and long lifetime.
- Unique design for good thermal management.
- Special optical design achieves perfect light performance.



Specification:

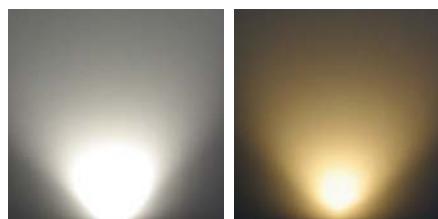
| | | |
|---------------------|--------------------------|--------------------------|
| Model number | D9010(WW) D9010-P(WW) | D9010(NW) D9010-P(NW) |
| LED | Origin | NICHIA 183BT |
| | Lumens/Le | 80-100 |
| | Current | 300mA |
| Color temperature | 2800±200K/3200±200K | 5000±200K |
| Power consumption | 10W(9×1W) | 10W(9×1W) |
| PFC(GU10) | 0.85 | 0.85 |
| Beam Angle | 60°/90° | 60°/90° |
| Input voltage | 85-265VAC | 85-265VAC |
| Working temperature | -5℃~+35℃ | -5℃~+35℃ |
| Dimension | φ 107×89(L) mm | φ 107×91(L) mm |
| Net weight | 582g | 582g |
| Lifetime(hr) | 45000 | 45000 |



Note: D9010-P adopts external power source.

Packaging information:

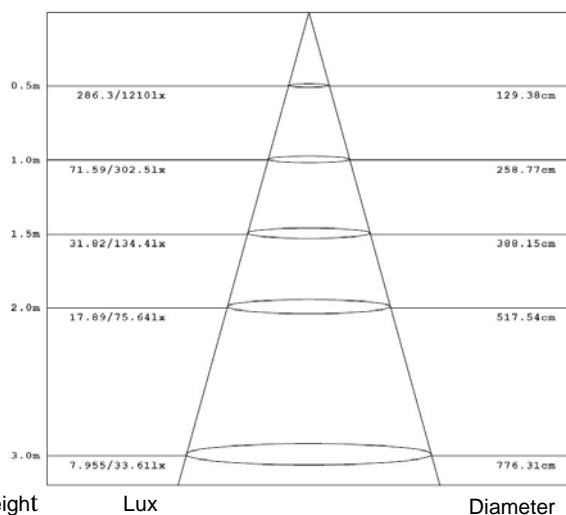
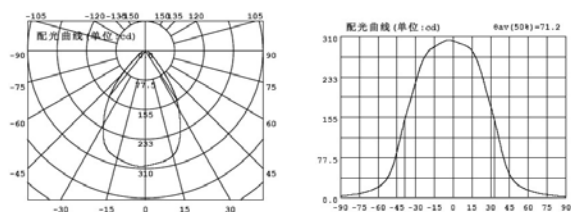
| | | |
|----------------------------|------------------|------|
| Packing: 24 boxes / carton | | |
| Box | 115×115×115(mm) | 637g |
| Carton | 57.5×26.5×36(cm) | 16kg |



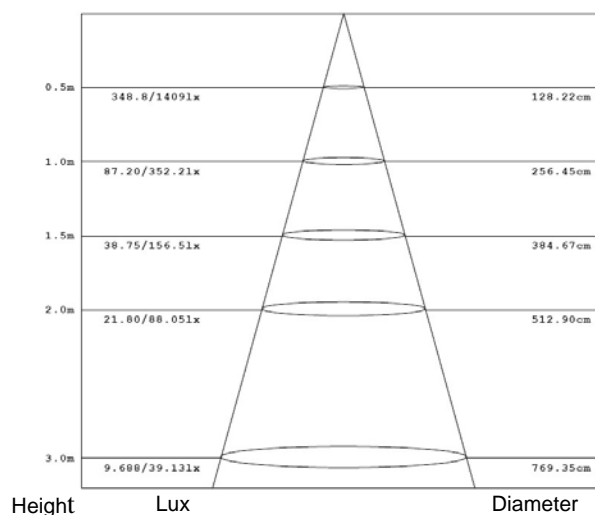
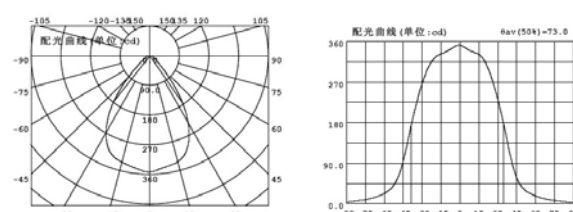
Optical Performance:

| Model number | Beam Angle | Lumens | CRI |
|--------------|------------|--------|-----|
| D9010(WW) | 60 degree | 700 | 80 |
| D9010(NW) | 60 degree | 832 | 75 |

D9010(WW)



D9010(NW)





Important Caution

1. Not suitable for high temperature and moisture area.
2. Not suitable for heavy air-polluted area.
3. Not suitable for close system fixture.